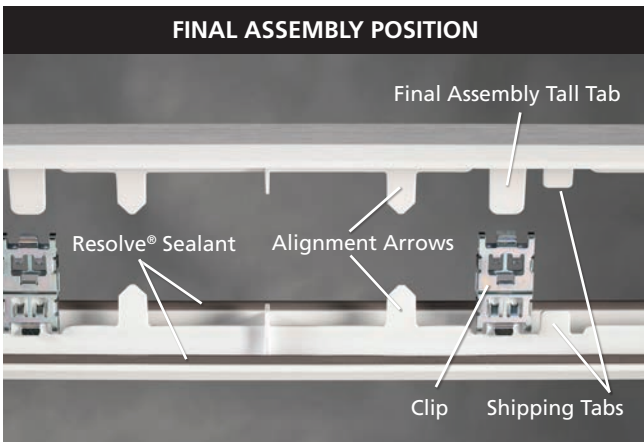
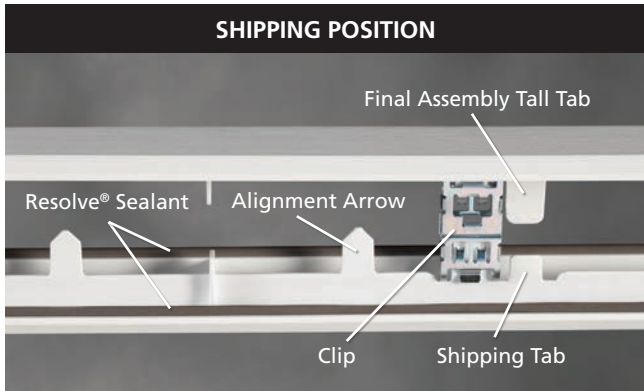


ZEEL™ Frame On Site Assembly Instructions Sidelight

Tools needed: rubber mallet, safety glasses



1. Getting started

Tools needed: rubber mallet

This process requires two people to complete.

2. Tape outer frame to glass

Tip: We suggest using painter's tape to avoid paint damage.

3. Insert frame into opening

Outside person holds the outer frame with glass in place.

Inside person will take the inner frame and align the bottom long tabs into the clips.

Tip: Locate the alignment arrows to ensure frame is in final assembly position.

4. Engage tabs into clips

Start to engage tabs in clips at the top of the unit.

Gently work your way around the frame, pressing the long tabs into the clips.

With the outside person pressing hard against the outer frame, the inside person will use the mallet to fully engage the clips.

Tip: This will require some force and may take a few hits to completely engage.

Check with fingers around perimeter of frame to assure engagement.